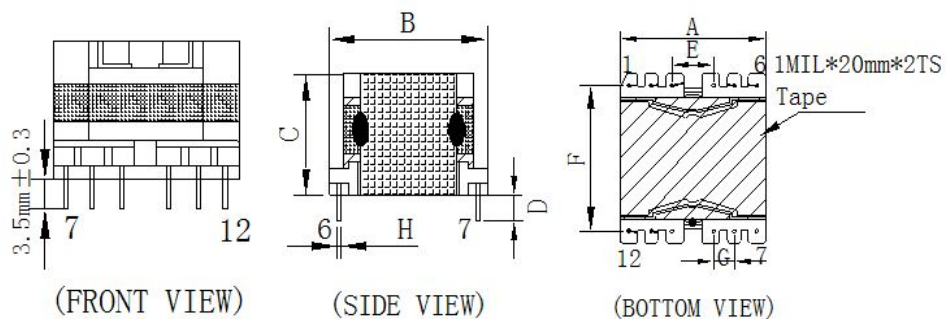


CUSTOMER TERMINAL	ROHS	Lead(Pb)-free
	YES	YES

1. Mechanical Dimensions



A	29.0	MAX
B	30.0	MAX
C	26.5	MAX
D	3.5	±0.3
E	7.5	±0.1
F	25.5	±0.1
G	3.0	±0.1
H	0.75	±0.1

3. Material List

Core:FW44 PQ2625

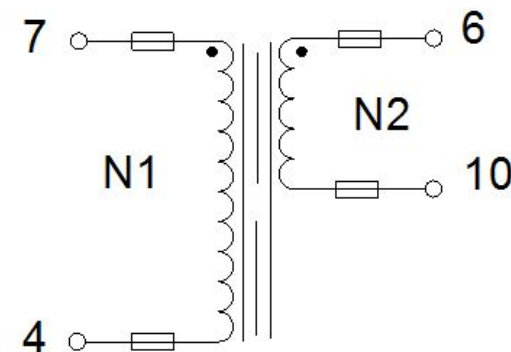
Bobbin:FWB2602(6+6PIN)

Wire:2UEW TIW

Copper foil: 0.025t*8.0/18.0mm

Operating Temperature: -30 to115 °C

2. Schematic Diagram



4. Electrical Specification

Inductance: L(7-4):350uH±5% 40KHZ 、 1V

DCR:(7-4)=0.3ΩMAX

Hi-Pot:N1-N2: DC 60Hz 500V 1.0mA 3S

REV.	DATE	<p>Convention Placement</p>	DRW.	Drawing Title: TRANSFORMER	Part No: FWPTPQ2625V351J
0	00/00		CHK.		
			APP.		
ROHS		www.ferriwo.com	Customer P/N	Specification Sheet 1of 1	